

Low Voltage Taps



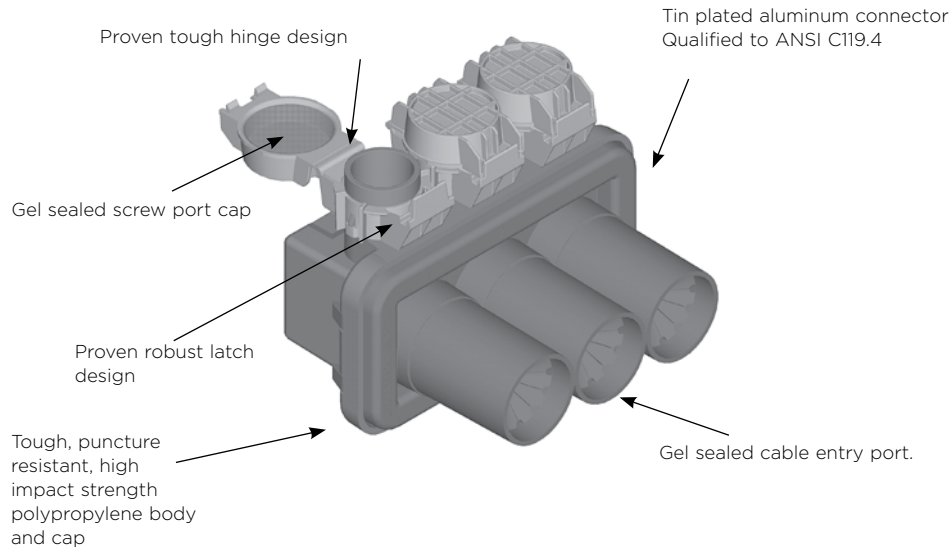
GelPort Connectors Submersible Connectors for URD Distribution (1000 V)

- Corrosion resistance
- No loose parts due to one piece housing
- Gel-filled cable entry ports provide a reliable cable seal
- PowerGel sealing gel seals out harsh environments
- Rugged, impact-resistant housing stands up to rough installations
- Clear view back allows for easy positive visual indication of wire position in connector

Selection Information: dimensions in inches (millimeters)

Catalog Number	Clear View	Number of Wire Ports	Conductor Use Range (mm ²)	Length Inches (mm)	Width Inches (mm)	Height Inches (mm)
GPRT-350-3P	-C	3	14 - 350 (2 - 150)	4.60 (117)	3.825 (97)	3.50 (89)
GPRT-350-4P	-C	4	14 - 350 (2 - 150)	5.85 (149)	3.825 (97)	3.50 (89)
GPRT-350-5P	-C	5	14 - 350 (2 - 150)	7.10 (180)	3.825 (97)	3.50 (89)
GPRT-350-6P	-C	6	14 - 350 (2 - 150)	8.35 (212)	3.825 (97)	3.50 (89)
GPRT-350-8P	-C	8	14 - 350 (2 - 150)	10.85 (276)	3.825 (97)	3.50 (89)
GPRT-350/4P-500/1P	-C	5 Hybrid		7.10 (180)	3.825 (97)	3.50 (89)
		4	14 - 350 (2 - 150)			
GPRT-350/6P-500/2P	-C	1	6 - 500 (16 - 250)			
		8 Hybrid		10.85 (276)	3.825 (97)	3.50 (89)
		6	14 - 350 (2 - 150)			
		2	6 - 500 (16 - 250)			

Note: For clear view back, add "-C" to catalog number



Ordering Information

1. Selection based on typical dimensions of low voltage cables.
2. Standard package is 6/box

Product Performance

Testing	Test Condition
Complete unit	ANSI C119.1, 2002, Report: EDR-5379, EDR-5409, EDR-5427
Connector	ANSI C119.4, 2003, Report: 502-47264, 502-47302, 502-47308
Chemical Resistance	ASTM D543 to the following liquids: Sulfuric Acid, Sodium Sulfate, Sodium Chloride, Sodium Hydroxide, Ethylene Glycol
UV Resistance	ASTM G-53-95, ASTM-D-638-95